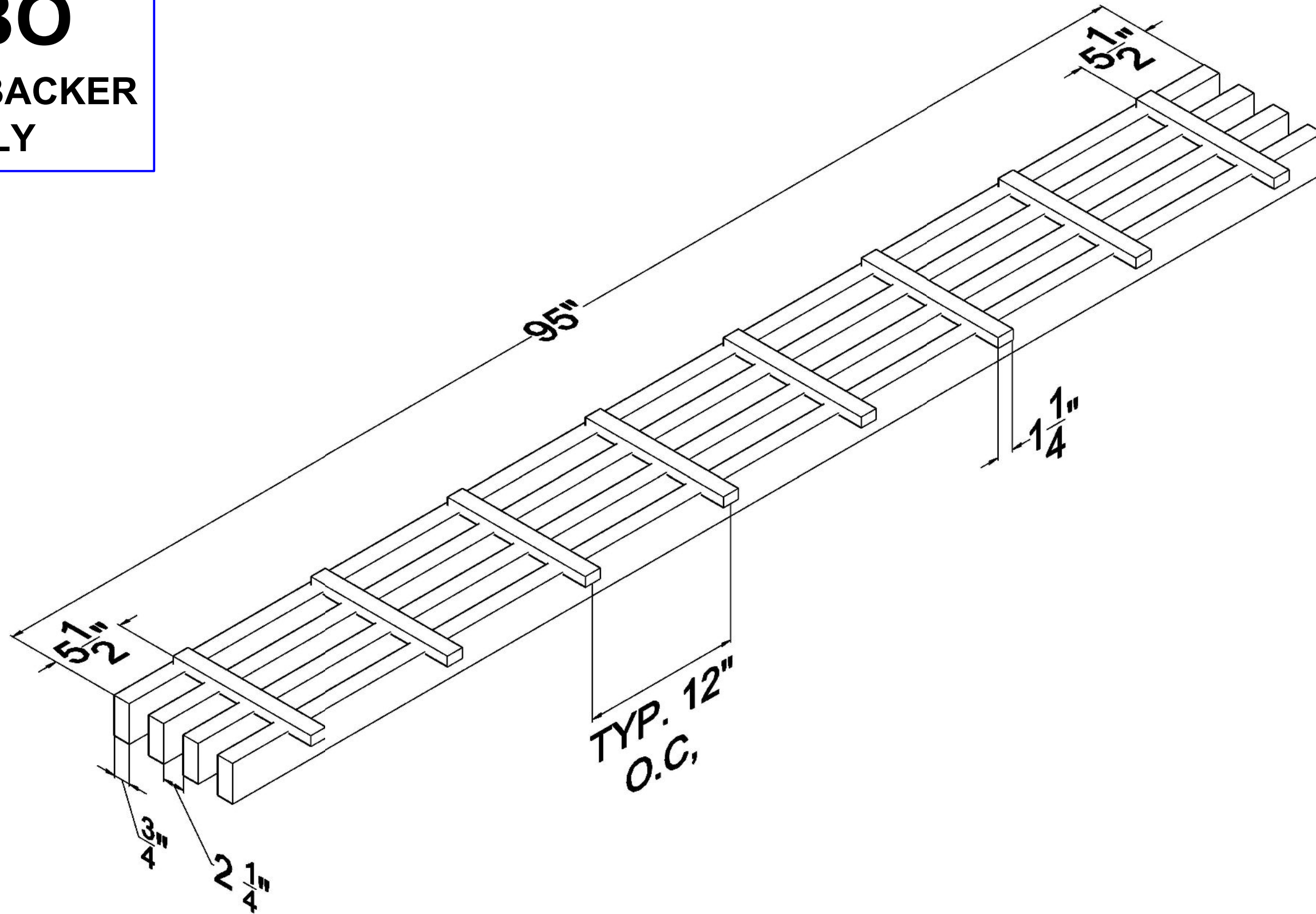


GBO

GRILLE BACKER ONLY



ISOMETRIC VIEW

Panels customizable. Please contact local sales rep for details



MADRID
7800 INDUSTRY AVENUE
PICO RIVERA, CA 90660
WWW.MADRIDINC.COM

DRAWING TITLE:

GBO - GRILLE BACKER ONLY - ISOMETRIC VIEW

DATE

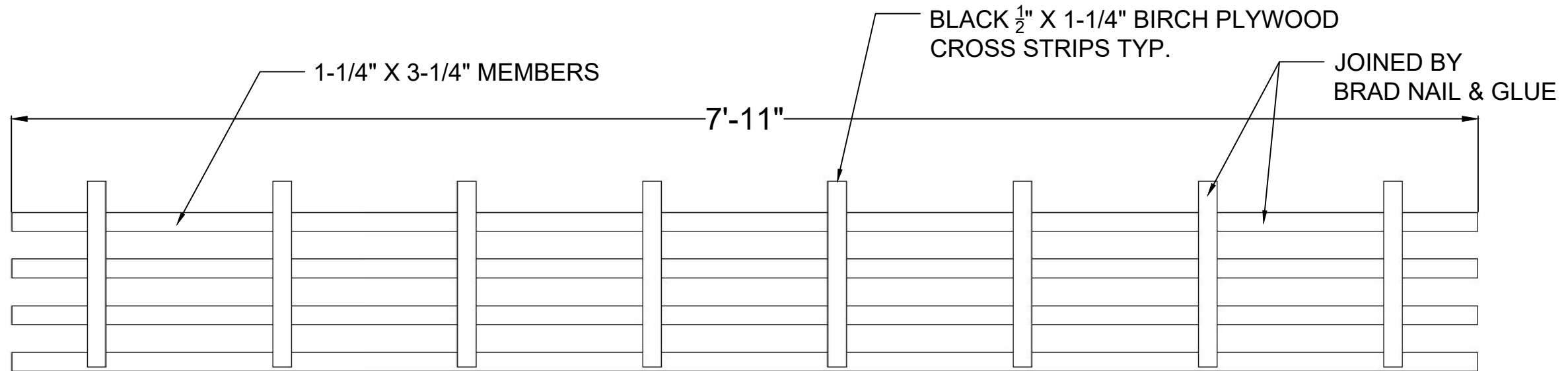
04/2023

DRAWING #:

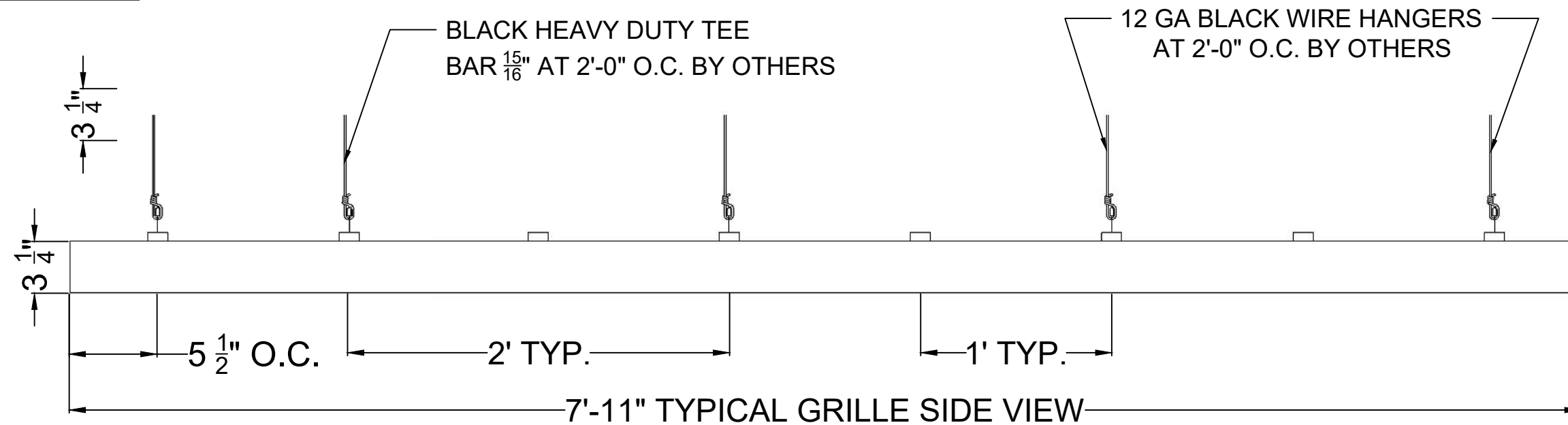
1 of 4

THIS DOCUMENT CONTAINS CONFIDENTIAL AND PROPRIETARY INFORMATION. ALL RECIPIENTS OF THIS DOCUMENT ARE TO PROTECT THE OWNERS DATA FROM USE BY OR TRANSFER TO NON-AUTHORIZED PARTIES BY LEGAL MEANS POSSIBLE. COPYRIGHT © 2023

TOP VIEW



SIDE ELEVATION



MADRID
 7800 INDUSTRY AVENUE
 PICO RIVERA, CA 90660
 WWW.MADRIDINC.COM

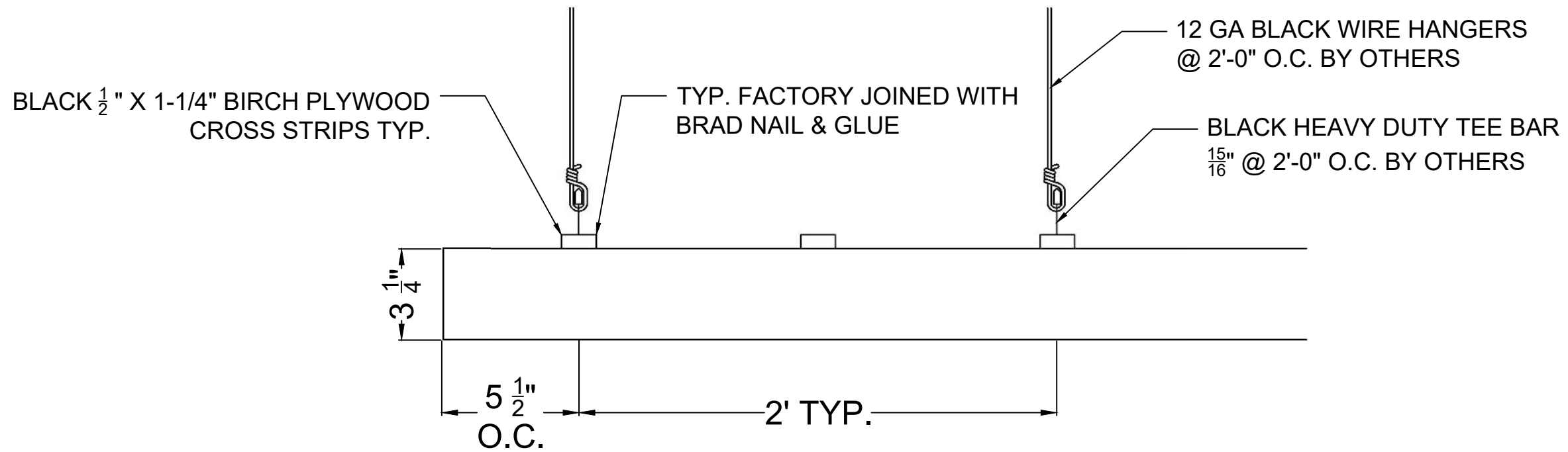
DRAWING TITLE: **GBO - GRILLE BACKER ONLY - PANEL ELEVATIONS**

DATE: **04/2023**

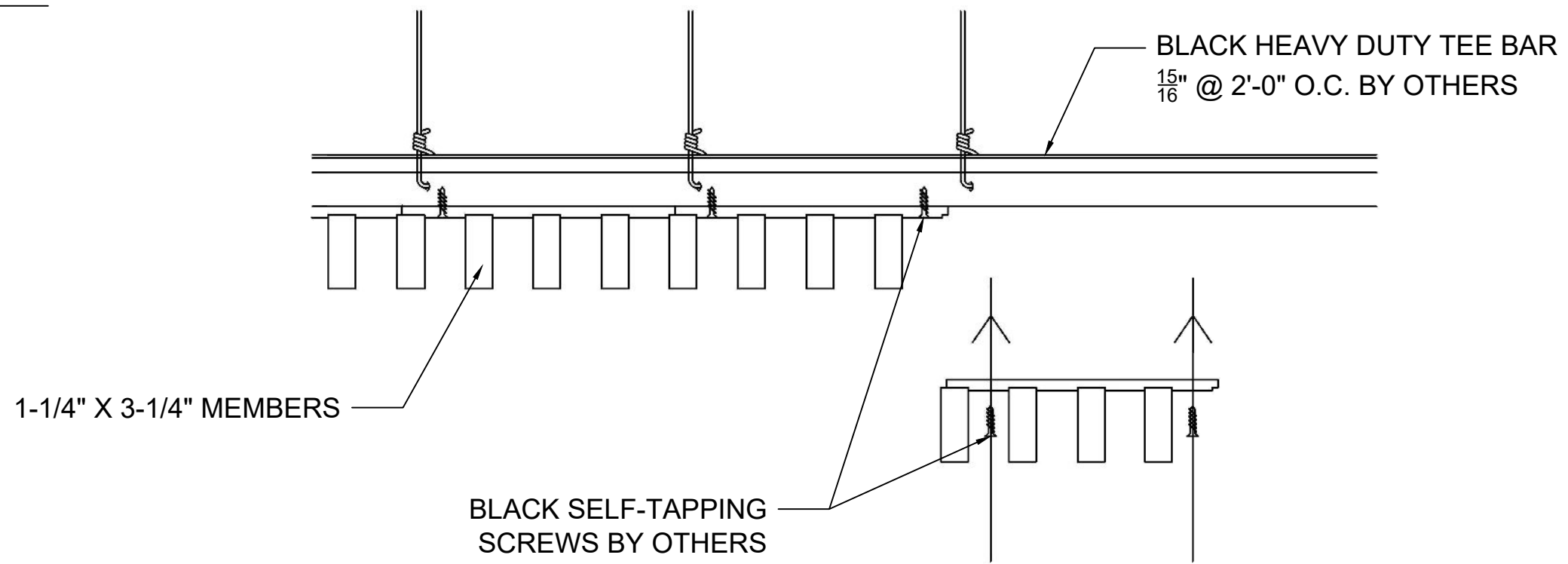
DRAWING #: **2 of 4**

THIS DOCUMENT CONTAINS CONFIDENTIAL AND PROPRIETARY INFORMATION. ALL RECIPIENTS OF THIS DOCUMENT ARE TO PROTECT THE OWNERS DATA FROM USE BY OR TRANSFER TO NON-AUTHORIZED PARTIES BY LEGAL MEANS POSSIBLE. COPYRIGHT © 2023

SIDE VIEW



FRONT ELEVATION



MADRID
 7800 INDUSTRY AVENUE
 PICO RIVERA, CA 90660
 WWW.MADRIDINC.COM

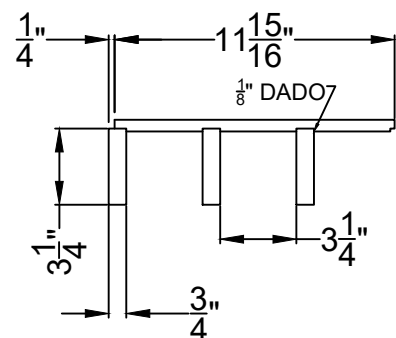
DRAWING TITLE: **GBO - GRILLE BACKER ONLY - INSTALLATION ELEVATIONS**

DATE: **04/2023**

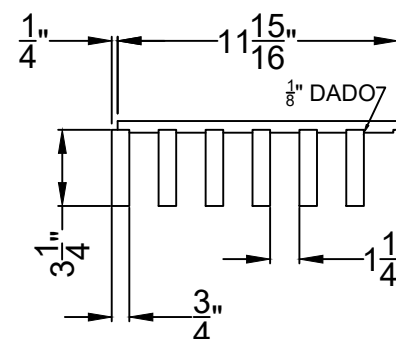
DRAWING #: **3 of 4**

THIS DOCUMENT CONTAINS CONFIDENTIAL AND PROPRIETARY INFORMATION. ALL RECIPIENTS OF THIS DOCUMENT ARE TO PROTECT THE OWNERS DATA FROM USE BY OR TRANSFER TO NON-AUTHORIZED PARTIES BY LEGAL MEANS POSSIBLE. COPYRIGHT © 2023

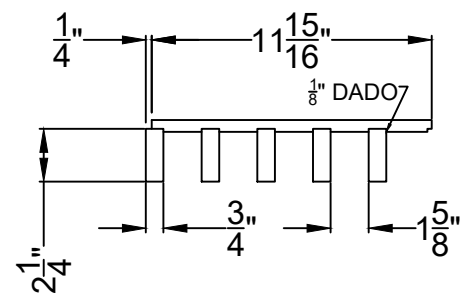
GBO-1



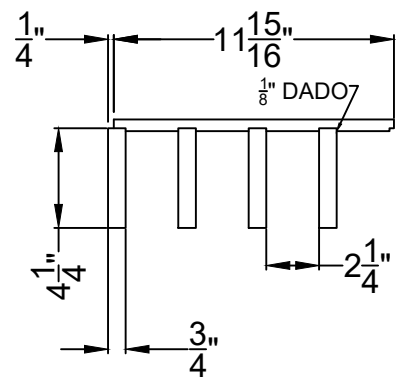
GBO-2



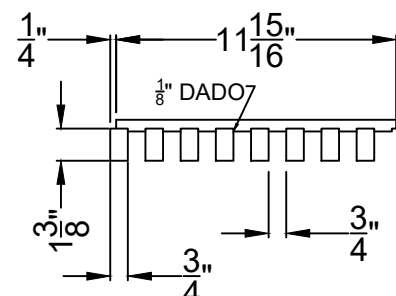
GBO-3



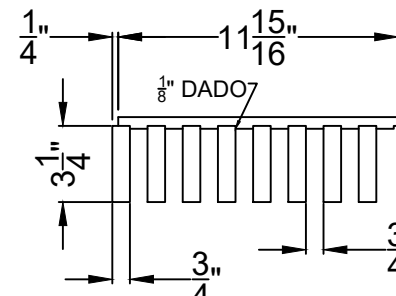
GBO-4



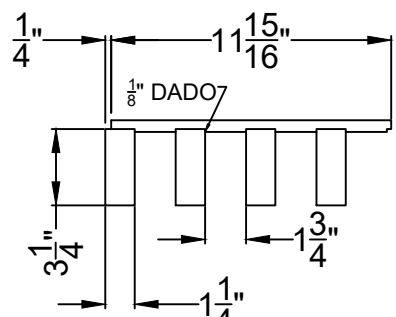
GBO-5



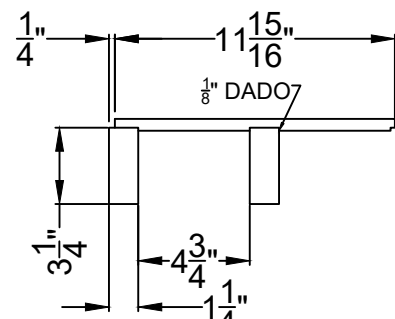
GBO-6



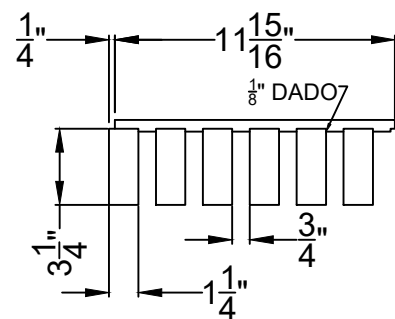
GBO-7



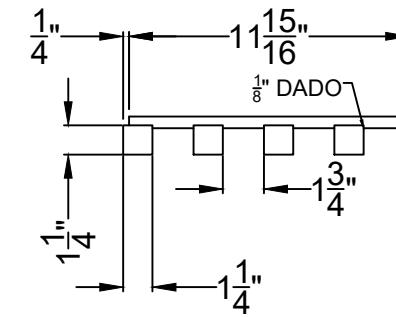
GBO-8



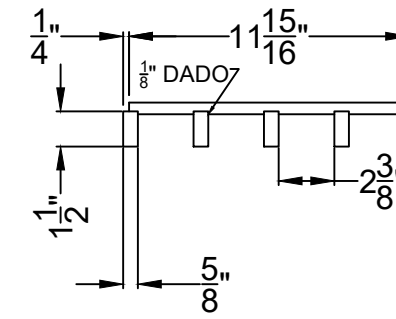
GBO-9



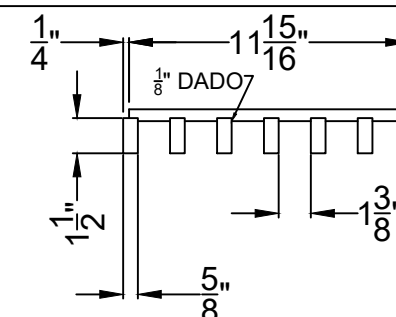
GBO-10



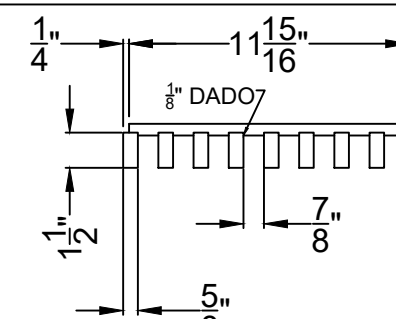
GBO-11



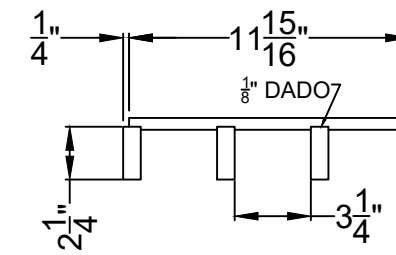
GBO-12



GBO-13



GBO-14



MADRID
 7800 INDUSTRY AVENUE
 PICO RIVERA, CA 90660
 WWW.MADRIDINC.COM

DRAWING TITLE:

GBO - GRILLE BACKER ONLY - PANELS

DATE

04/2023

DRAWING #:

4 of 4

THIS DOCUMENT CONTAINS CONFIDENTIAL AND PROPRIETARY INFORMATION. ALL RECIPIENTS OF THIS DOCUMENT ARE TO PROTECT THE OWNERS DATA FROM USE BY OR TRANSFER TO NON-AUTHORIZED PARTIES BY LEGAL MEANS POSSIBLE. COPYRIGHT © 2023