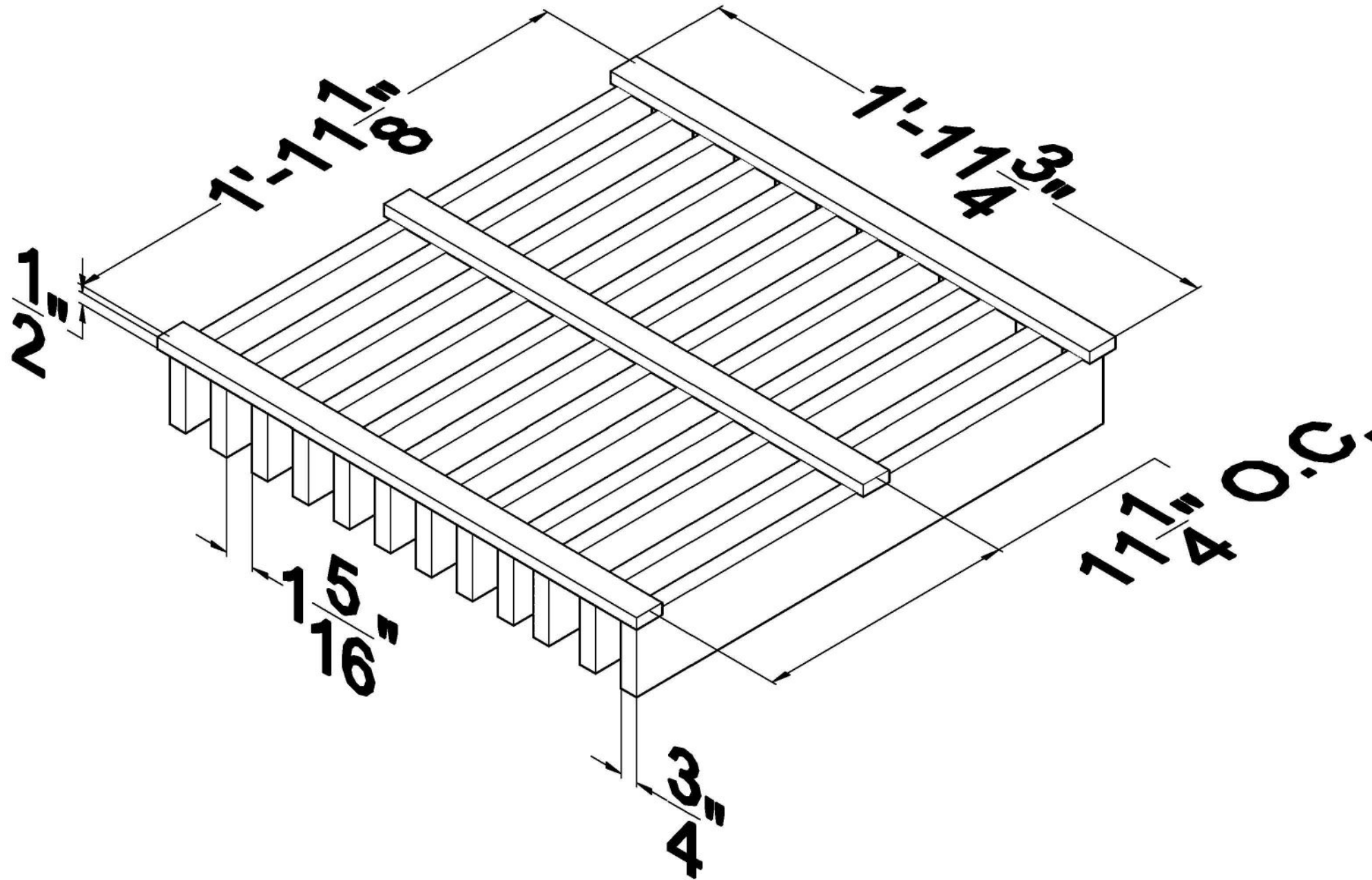


LG-1

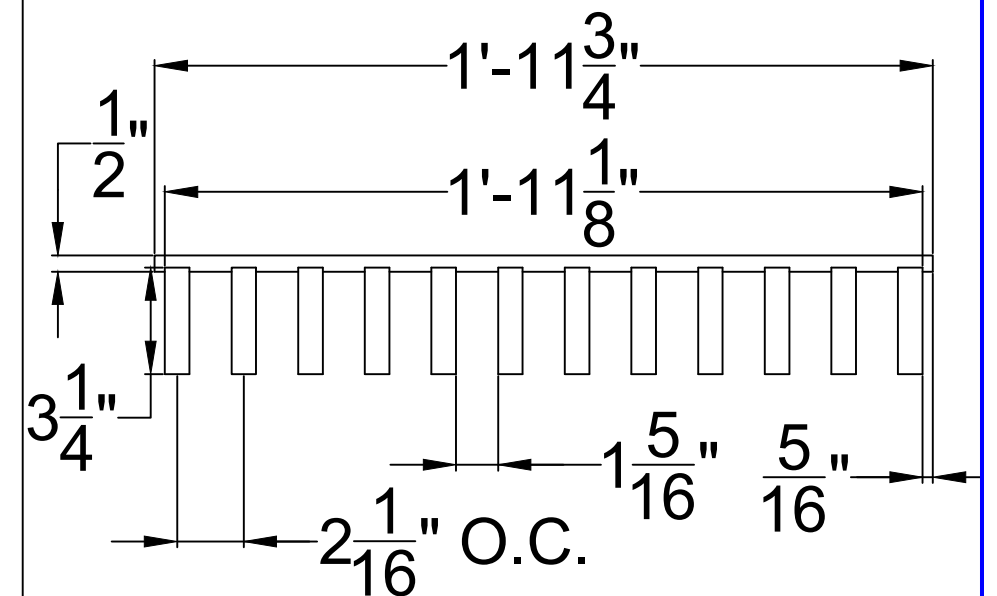
LAY-IN GRILLE TILES 9/16" GRID



SLAT DEPTH VARIES

SLAT SPACING VARIES

TYP. DETAIL



ISOMETRIC VIEW

Panels customizable. Please contact local sales rep for details



MADRID

7800 INDUSTRY AVENUE
PICO RIVERA, CA 90660
WWW.MADRIDINC.COM

DRAWING TITLE:

LAY-IN GRILLE TILES 12-MEMBER

DATE

04/2023

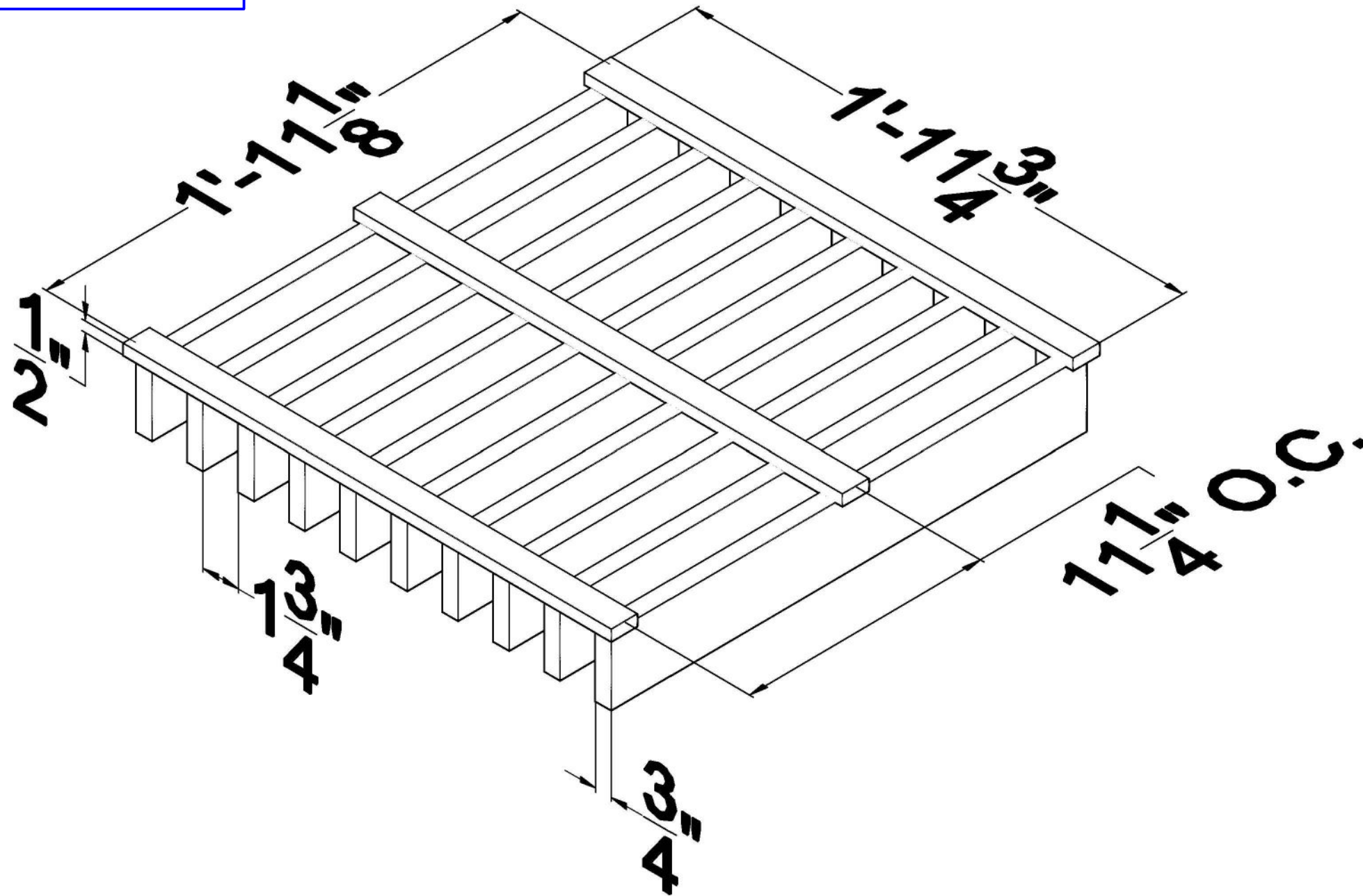
DRAWING #:

1 of 6

THIS DOCUMENT CONTAINS CONFIDENTIAL AND PROPRIETARY INFORMATION. ALL RECIPIENTS OF THIS DOCUMENT ARE TO PROTECT THE OWNERS DATA FROM USE BY OR TRANSFER TO NON-AUTHORIZED PARTIES BY LEGAL MEANS POSSIBLE. COPYRIGHT © 2023

LG-2

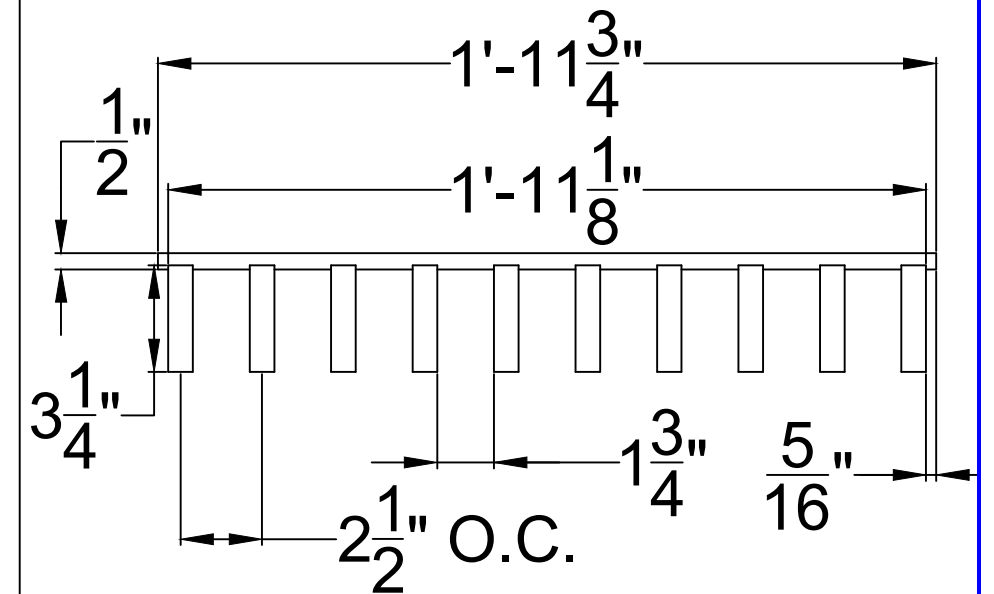
LAY-IN GRILLE TILES 9/16" GRID



SLAT DEPTH VARIES

SLAT SPACING VARIES

TYP. DETAIL



ISOMETRIC VIEW

Panels customizable. Please contact local sales rep for details



MADRID

7800 INDUSTRY AVENUE
PICO RIVERA, CA 90660
WWW.MADRIDINC.COM

DRAWING TITLE:

LAY-IN GRILLE TILES 10-MEMBER

DATE

04/2023

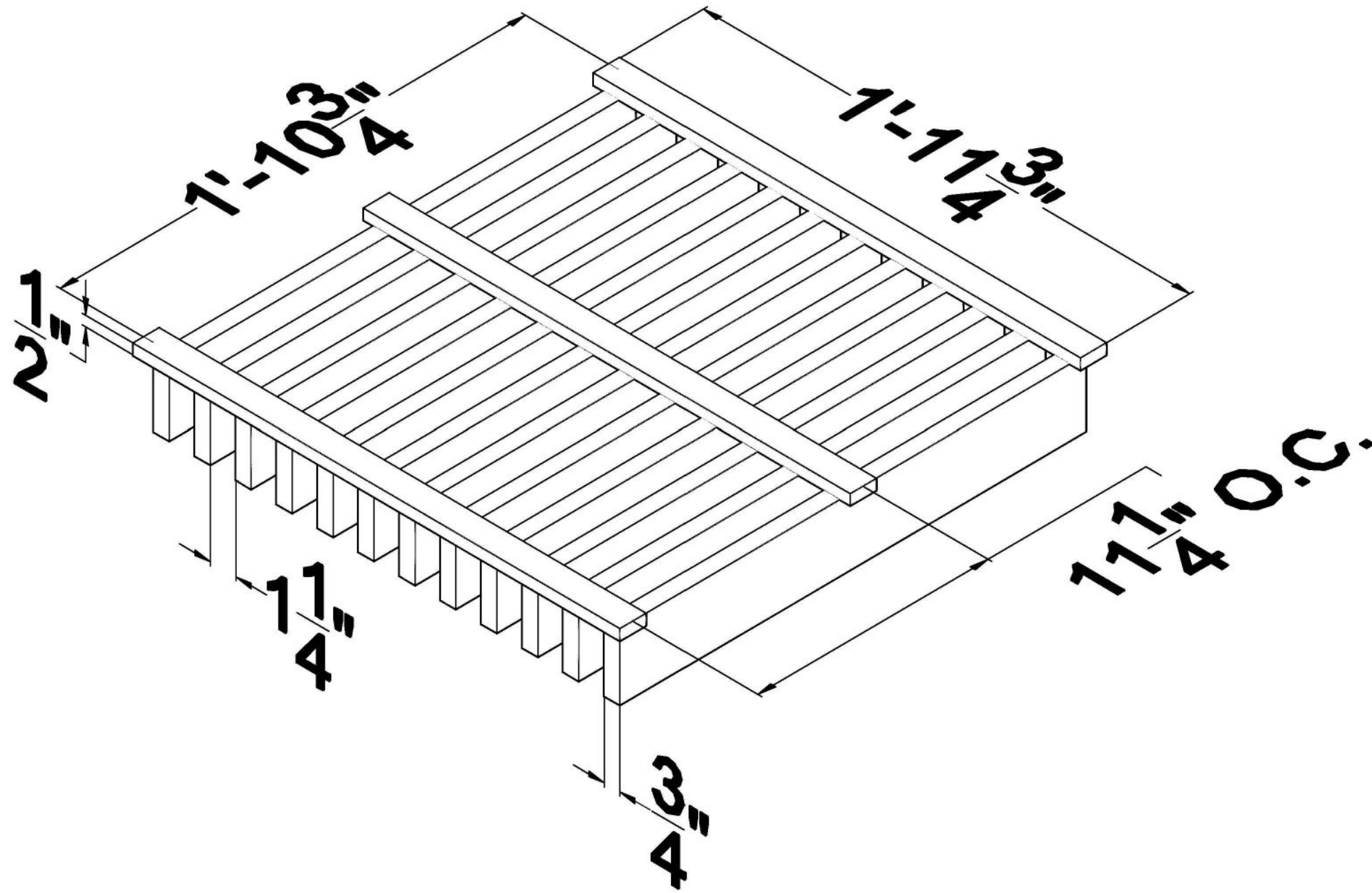
DRAWING #:

2 of 6

THIS DOCUMENT CONTAINS CONFIDENTIAL AND PROPRIETARY INFORMATION. ALL RECIPIENTS OF THIS DOCUMENT ARE TO PROTECT THE OWNERS DATA FROM USE BY OR TRANSFER TO NON-AUTHORIZED PARTIES BY LEGAL MEANS POSSIBLE. COPYRIGHT © 2023

LG-3

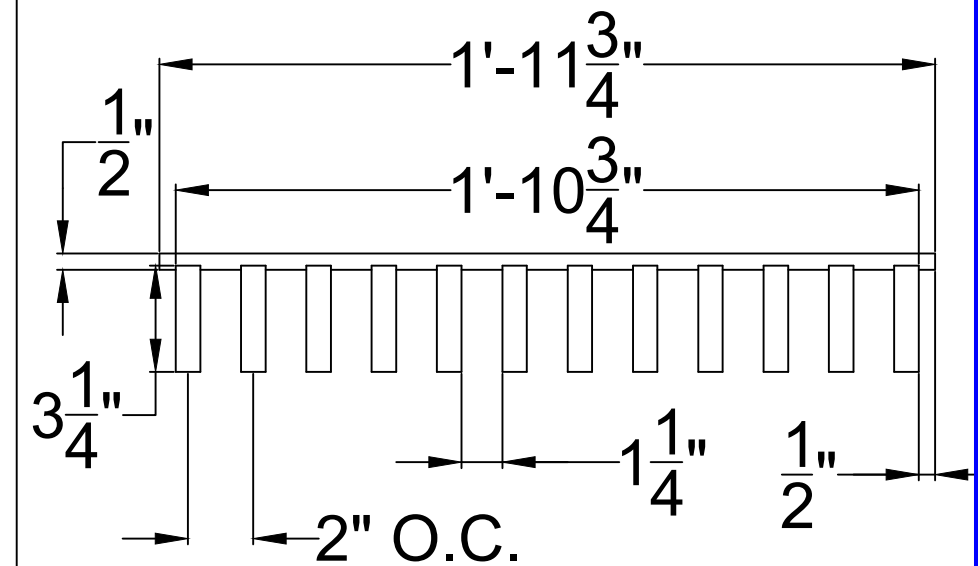
LAY-IN GRILLE TILES 15/16" HEAVY DUTY GRID



SLAT DEPTH VARIES

SLAT SPACING VARIES

TYP. DETAIL



ISOMETRIC VIEW

Panels customizable. Please contact local sales rep for details



MADRID

7800 INDUSTRY AVENUE
PICO RIVERA, CA 90660
WWW.MADRIDINC.COM

DRAWING TITLE:

LAY-IN GRILLE TILES 12-MEMBER

DATE

04/2023

DRAWING #:

3 of 6

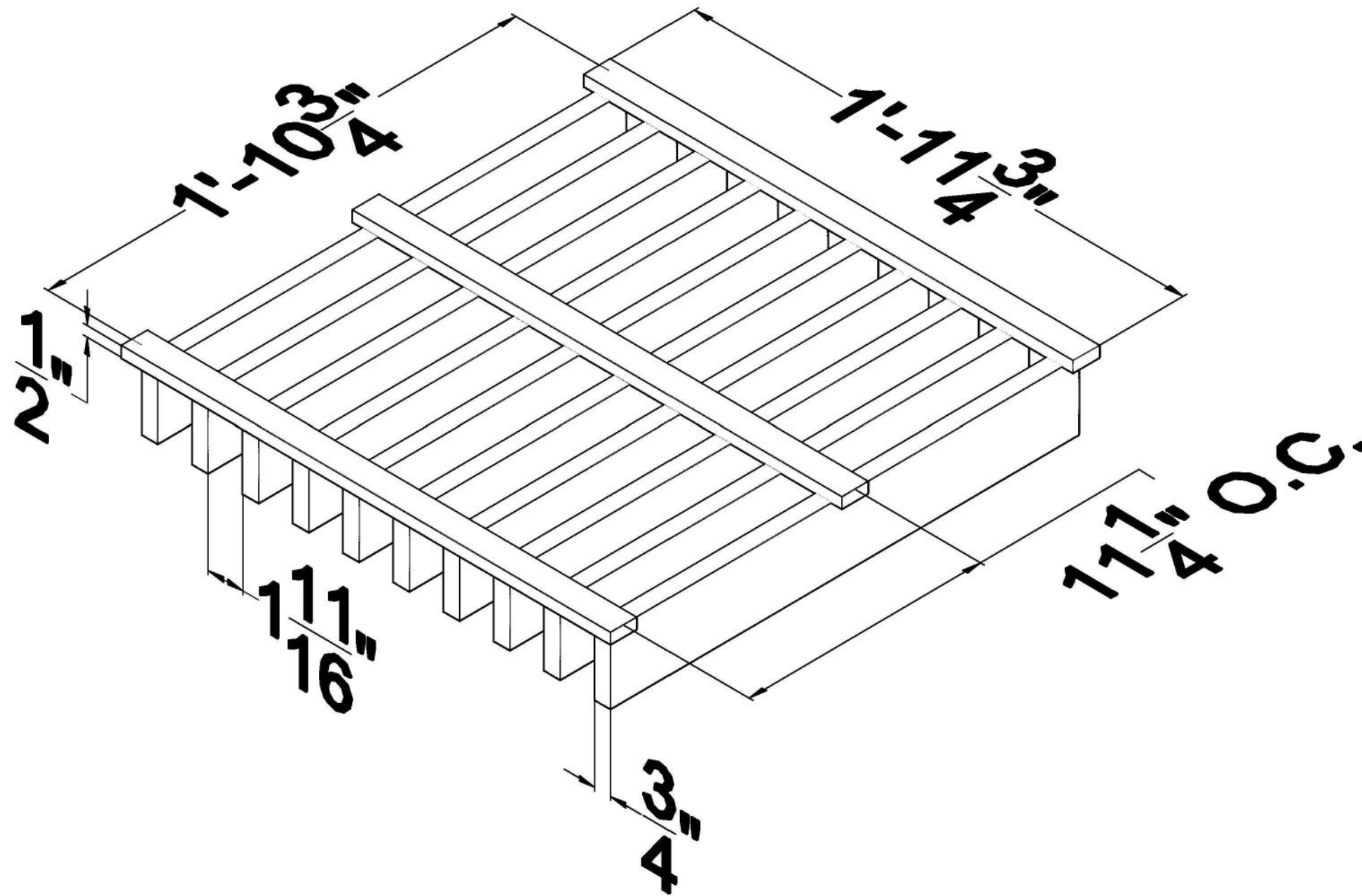
THIS DOCUMENT CONTAINS CONFIDENTIAL AND PROPRIETARY INFORMATION. ALL RECIPIENTS OF THIS DOCUMENT ARE TO PROTECT THE OWNERS DATA FROM USE BY OR TRANSFER TO NON-AUTHORIZED PARTIES BY LEGAL MEANS POSSIBLE. COPYRIGHT © 2023

LG-4

LAY-IN GRILLE TILES 15/16" HEAVY DUTY GRID

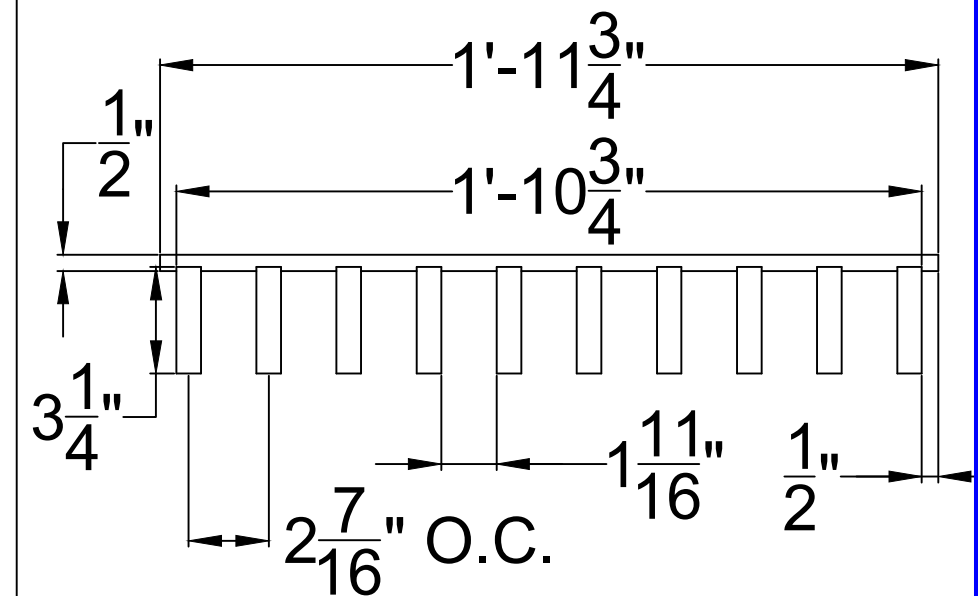
SLAT DEPTH VARIES

SLAT SPACING VARIES



ISOMETRIC VIEW

TYP. DETAIL



MADRID

7800 INDUSTRY AVENUE
PICO RIVERA, CA 90660
WWW.MADRIDINC.COM

DRAWING TITLE:

LAY-IN GRILLE TILES 10-MEMBER

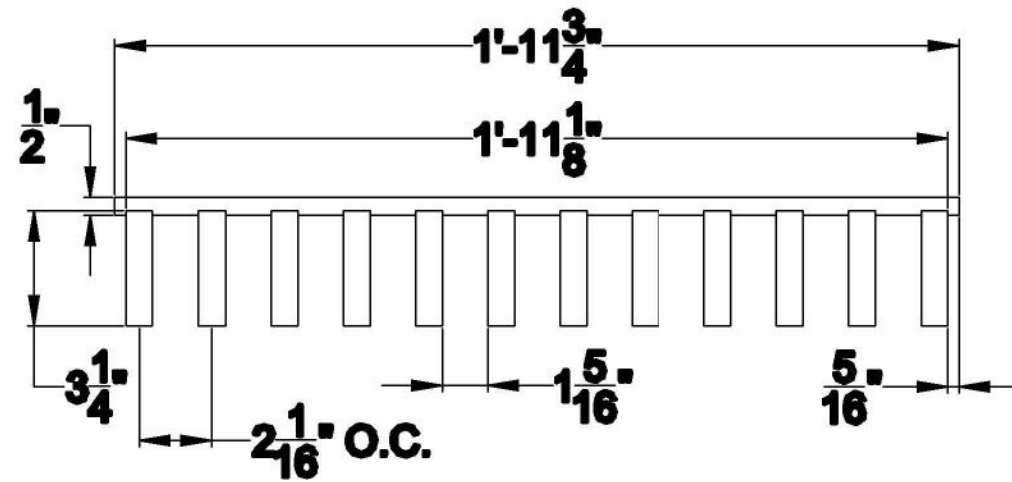
DATE

04/2023

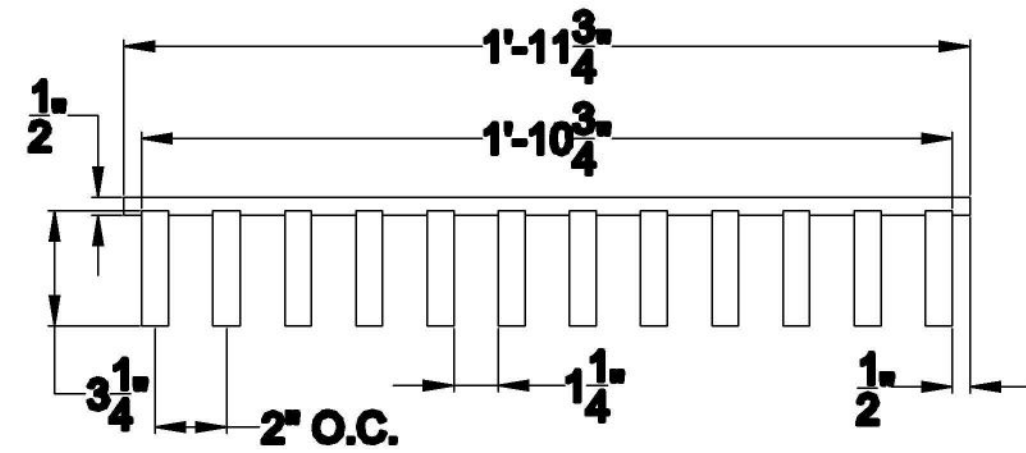
DRAWING #:

4 of 6

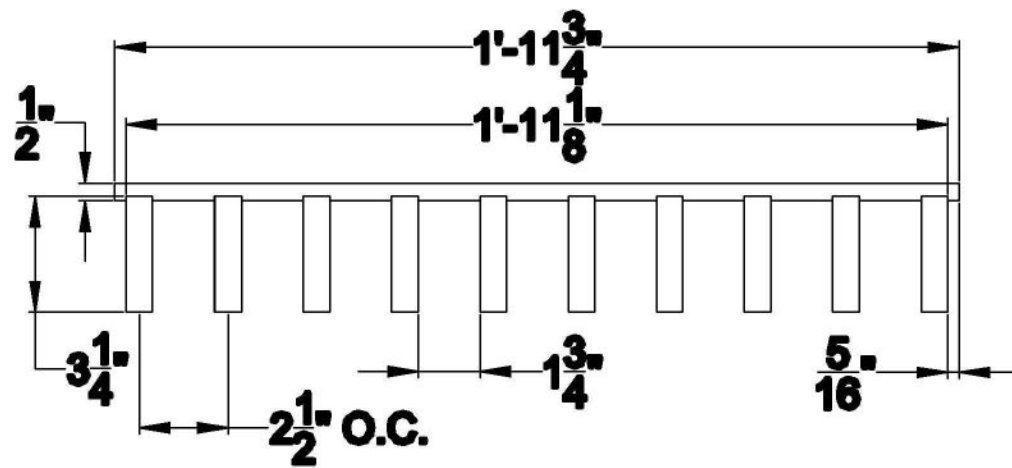
THIS DOCUMENT CONTAINS CONFIDENTIAL AND PROPRIETARY INFORMATION. ALL RECIPIENTS OF THIS DOCUMENT ARE TO PROTECT THE OWNERS DATA FROM USE BY OR TRANSFER TO NON-AUTHORIZED PARTIES BY LEGAL MEANS POSSIBLE. COPYRIGHT © 2023



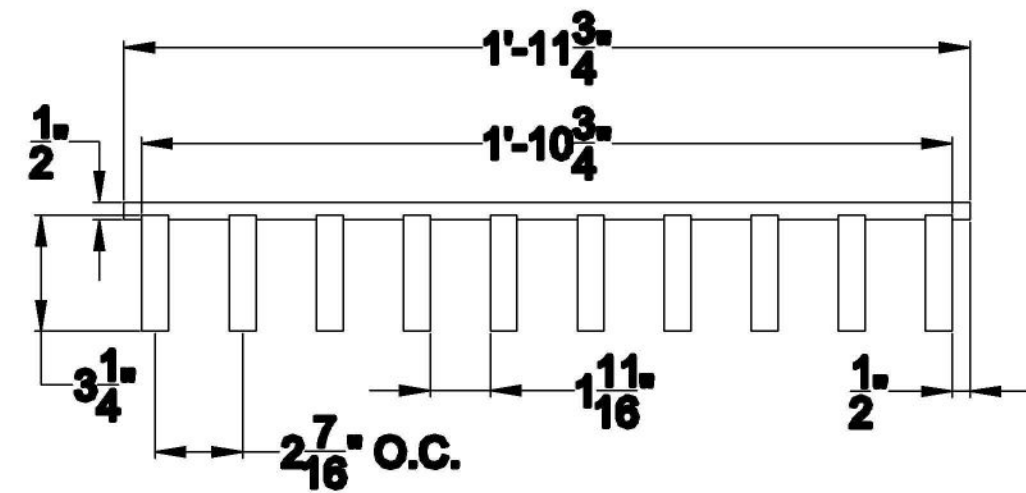
OPTION 1: LG-1
12 MEMBER ON 9/16" GRID



OPTION 3: LG-3
12 MEMBER ON 15/16" GRID



OPTION 2: LG-2
10 MEMBER ON 9/16" GRID



OPTION 4: LG-4
10 MEMBER ON 15/16" GRID



MADRID

7800 INDUSTRY AVENUE
PICO RIVERA, CA 90660
WWW.MADRIDINC.COM

DRAWING TITLE:

LAY-IN GRILLE OPTIONS

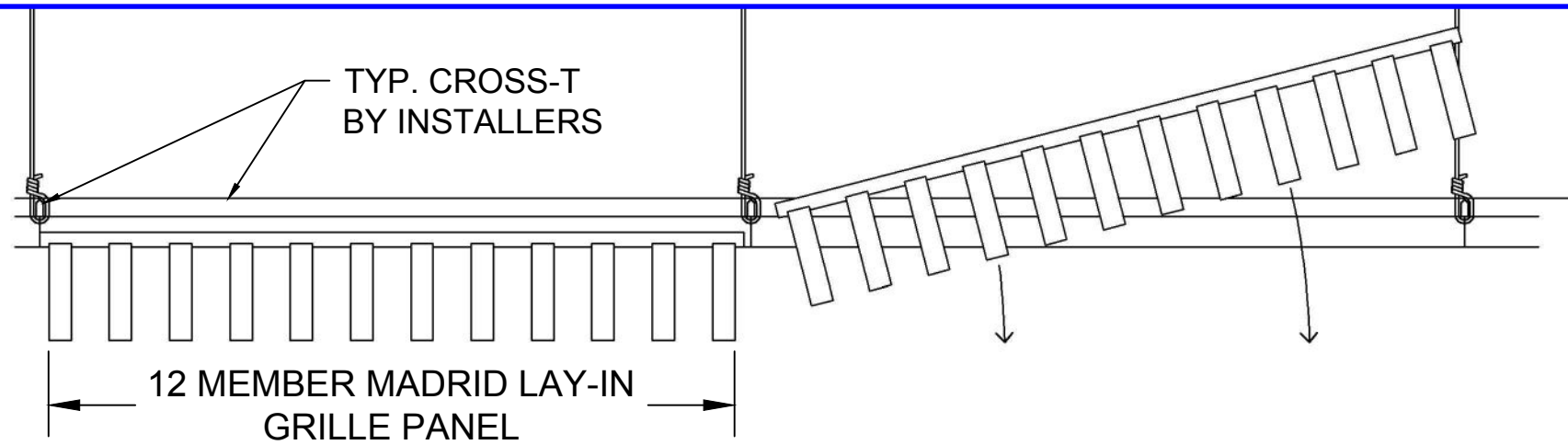
DATE

04/2023

DRAWING #:

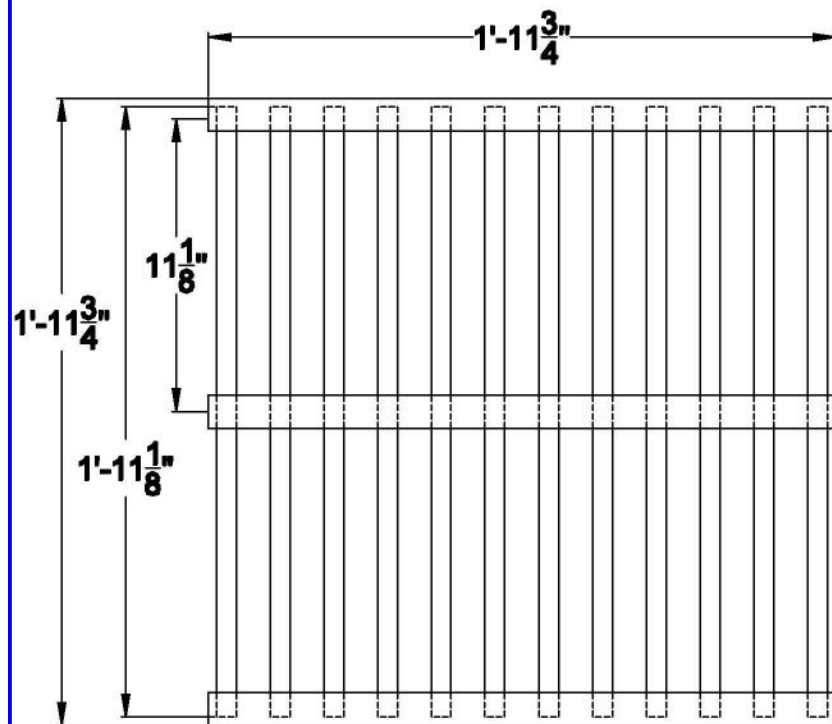
5 of 6

THIS DOCUMENT CONTAINS CONFIDENTIAL AND PROPRIETARY INFORMATION. ALL RECIPIENTS OF THIS DOCUMENT ARE TO PROTECT THE OWNERS DATA FROM USE BY OR TRANSFER TO NON-AUTHORIZED PARTIES BY LEGAL MEANS POSSIBLE. COPYRIGHT © 2023

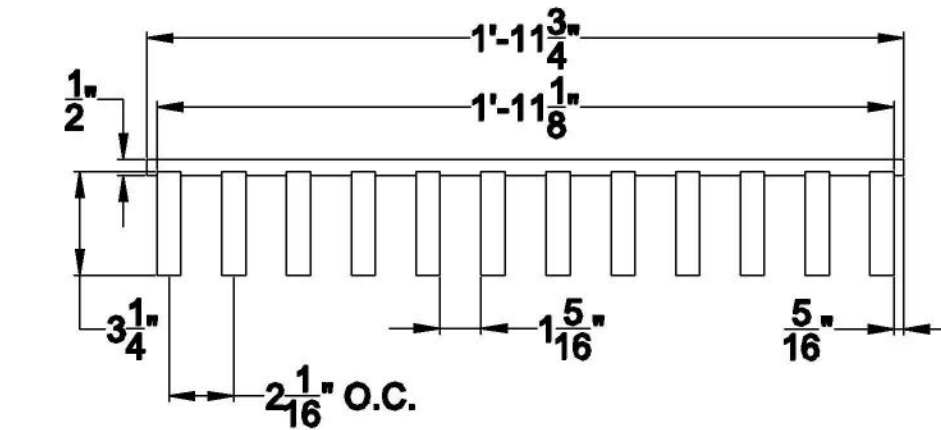


TYP. LAY-IN GRILLE PANEL - INSTILLATION

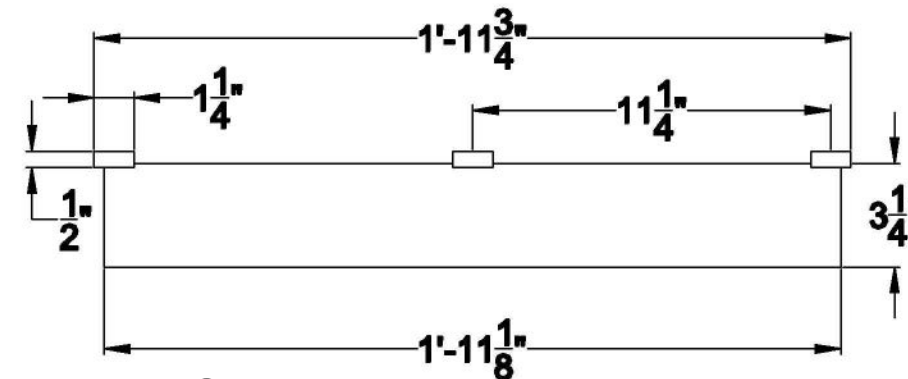
ALSO AVAILABLE AS 9/16" AND 15/16" SUSPENSION SYSTEM



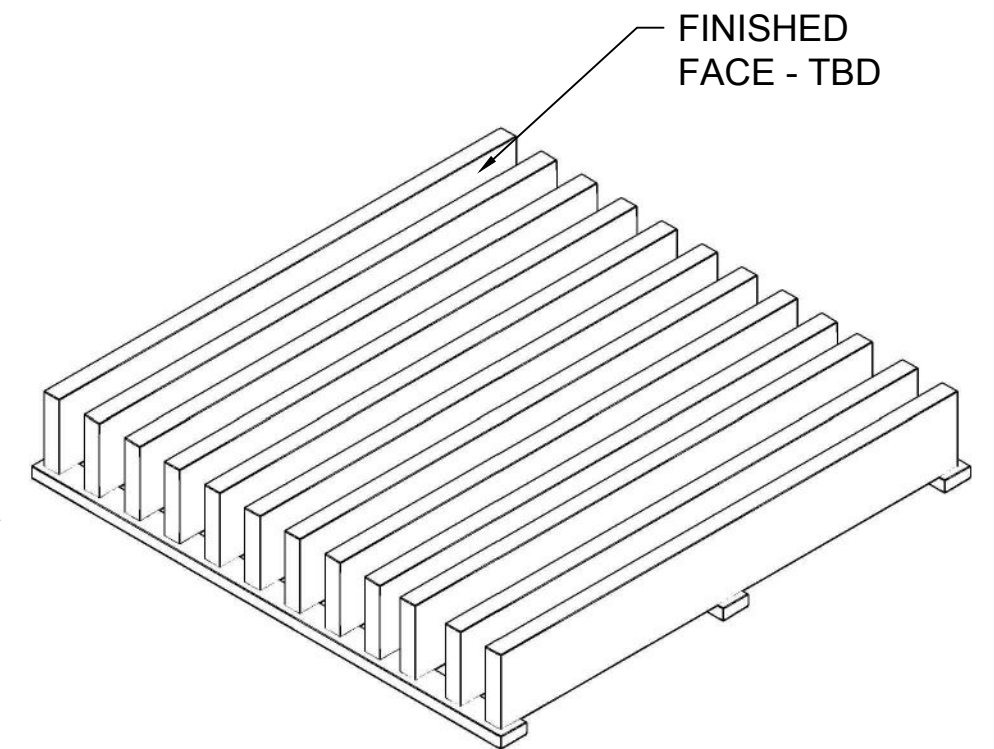
PLAN VIEW



ELEVATION A



ELEVATION B



ISOMETRIC VIEW



MADRID

7800 INDUSTRY AVENUE
PICO RIVERA, CA 90660
WWW.MADRIDINC.COM

DRAWING TITLE:

LAY-IN GRILLE TILE DETAILS

DATE

04/2023

DRAWING #:

6 of 6

THIS DOCUMENT CONTAINS CONFIDENTIAL AND PROPRIETARY INFORMATION. ALL RECIPIENTS OF THIS DOCUMENT ARE TO PROTECT THE OWNERS DATA FROM USE BY OR TRANSFER TO NON-AUTHORIZED PARTIES BY LEGAL MEANS POSSIBLE. COPYRIGHT © 2023