

ONLY AVAILABLE IN 1' X 8'



MADRID
 7800 INDUSTRY AVENUE
 PICO RIVERA, CA 90660
 WWW.MADRIDINC.COM

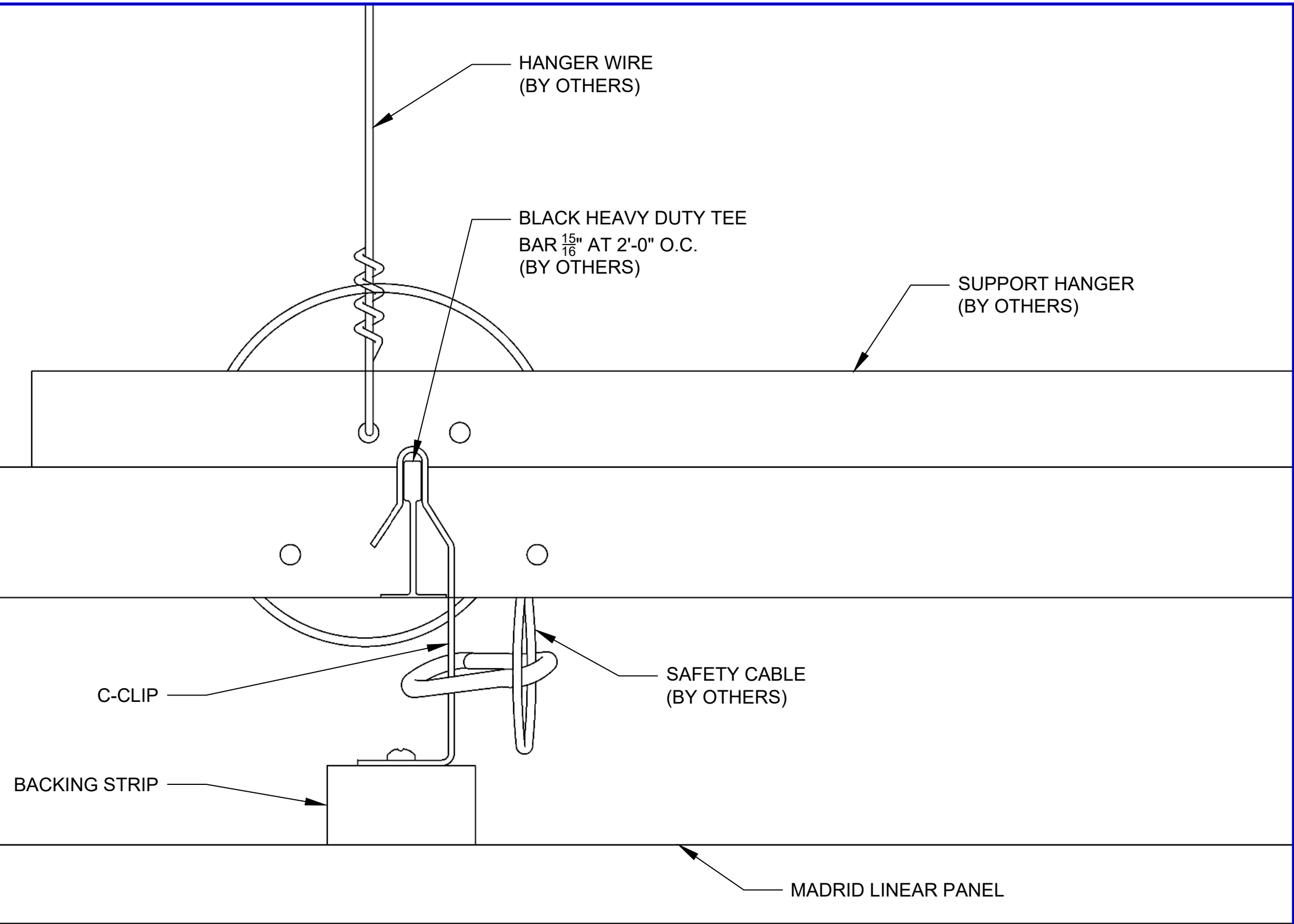
DRAWING TITLE: **REMOVABLE LINEAR GRILLE**

DATE: **06/2023**

DRAWING #: **RLG1**

THIS DOCUMENT CONTAINS CONFIDENTIAL AND PROPRIETARY INFORMATION. ALL RECIPIENTS OF THIS DOCUMENT ARE TO PROTECT THE OWNERS DATA FROM USE BY OR TRANSFER TO NON-AUTHORIZED PARTIES BY LEGAL MEANS POSSIBLE. COPYRIGHT © 2023

DRAWING: **1 OF 4**



MADRID
7800 INDUSTRY AVENUE
PICO RIVERA, CA 90660
WWW.MADRIDINC.COM

DRAWING TITLE:

C-CLIP DETAIL

DATE:

06/2023

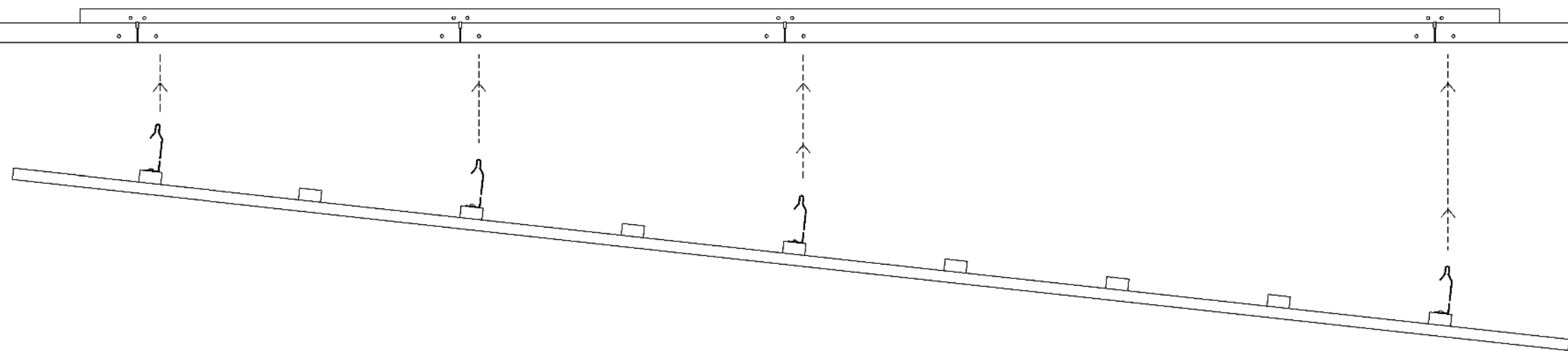
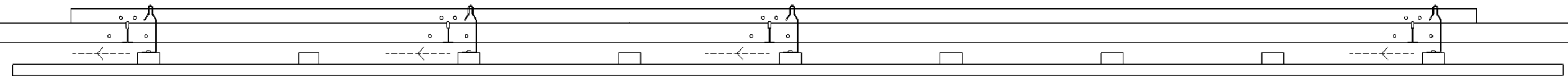
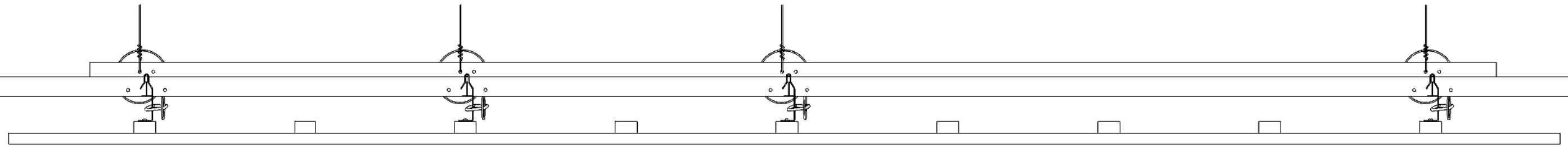
DRAWING #:

RLG2

THIS DOCUMENT CONTAINS CONFIDENTIAL AND PROPRIETARY INFORMATION. ALL RECIPIENTS OF THIS DOCUMENT ARE TO PROTECT THE OWNERS DATA FROM USE BY OR TRANSFER TO NON-AUTHORIZED PARTIES BY LEGAL MEANS POSSIBLE. COPYRIGHT © 2023

DRAWING:

2 OF 4



MADRID
 7800 INDUSTRY AVENUE
 PICO RIVERA, CA 90660
 WWW.MADRIDINC.COM

DRAWING TITLE:

LINEAR GRILLE INSTALLATION GUIDE

DATE:

06/2023

DRAWING #:

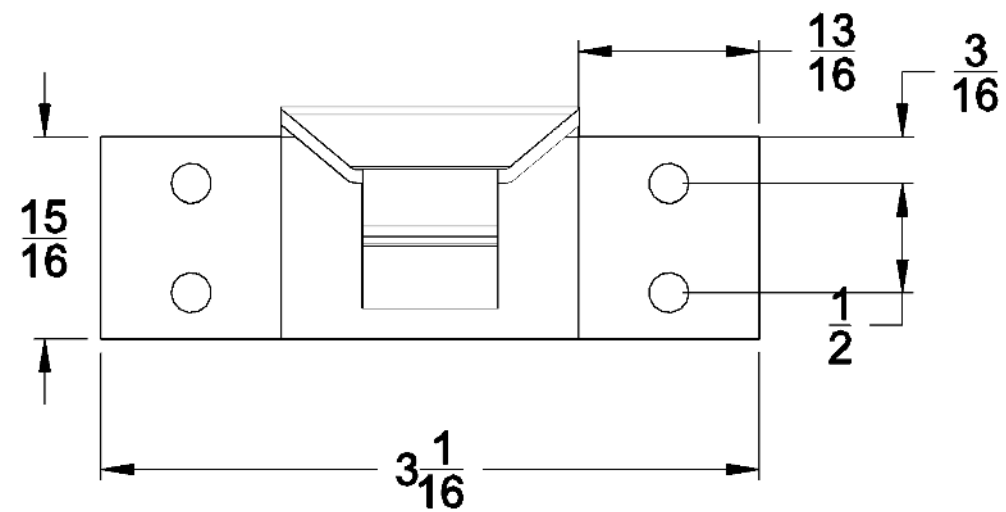
RLG3

THIS DOCUMENT CONTAINS CONFIDENTIAL AND PROPRIETARY INFORMATION. ALL RECIPIENTS OF THIS DOCUMENT ARE TO PROTECT THE OWNERS DATA FROM USE BY OR TRANSFER TO NON-AUTHORIZED PARTIES BY LEGAL MEANS POSSIBLE. COPYRIGHT © 2023

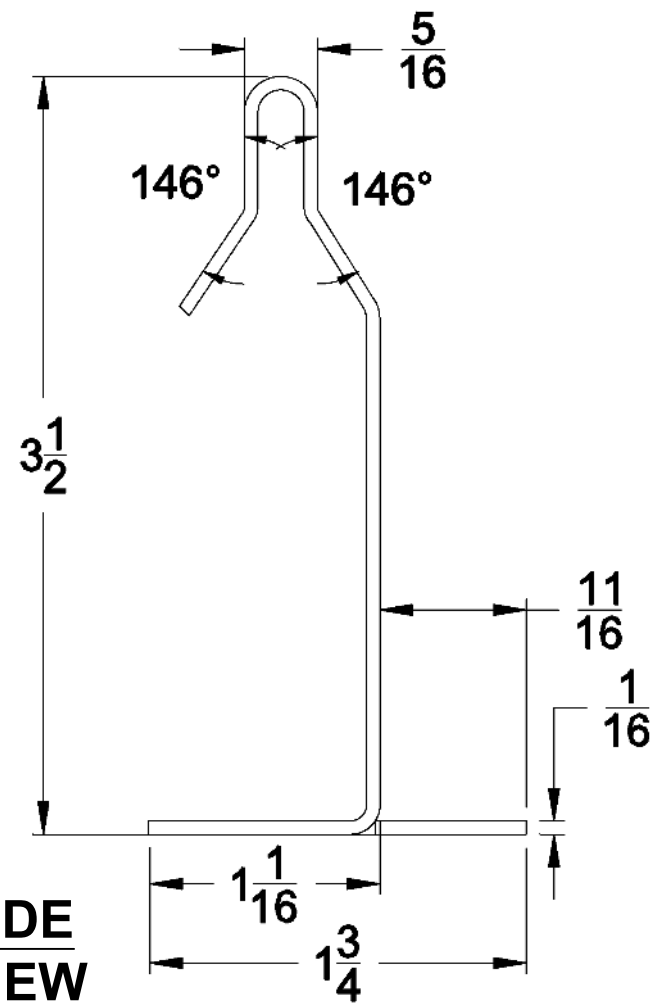
DRAWING:

3 OF 4

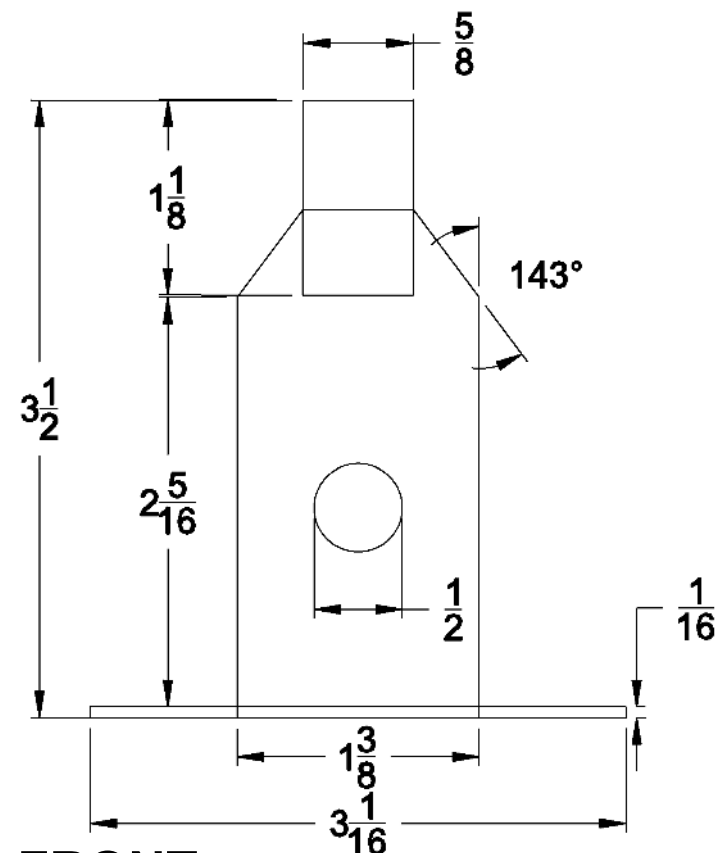
**TOP
VIEW**



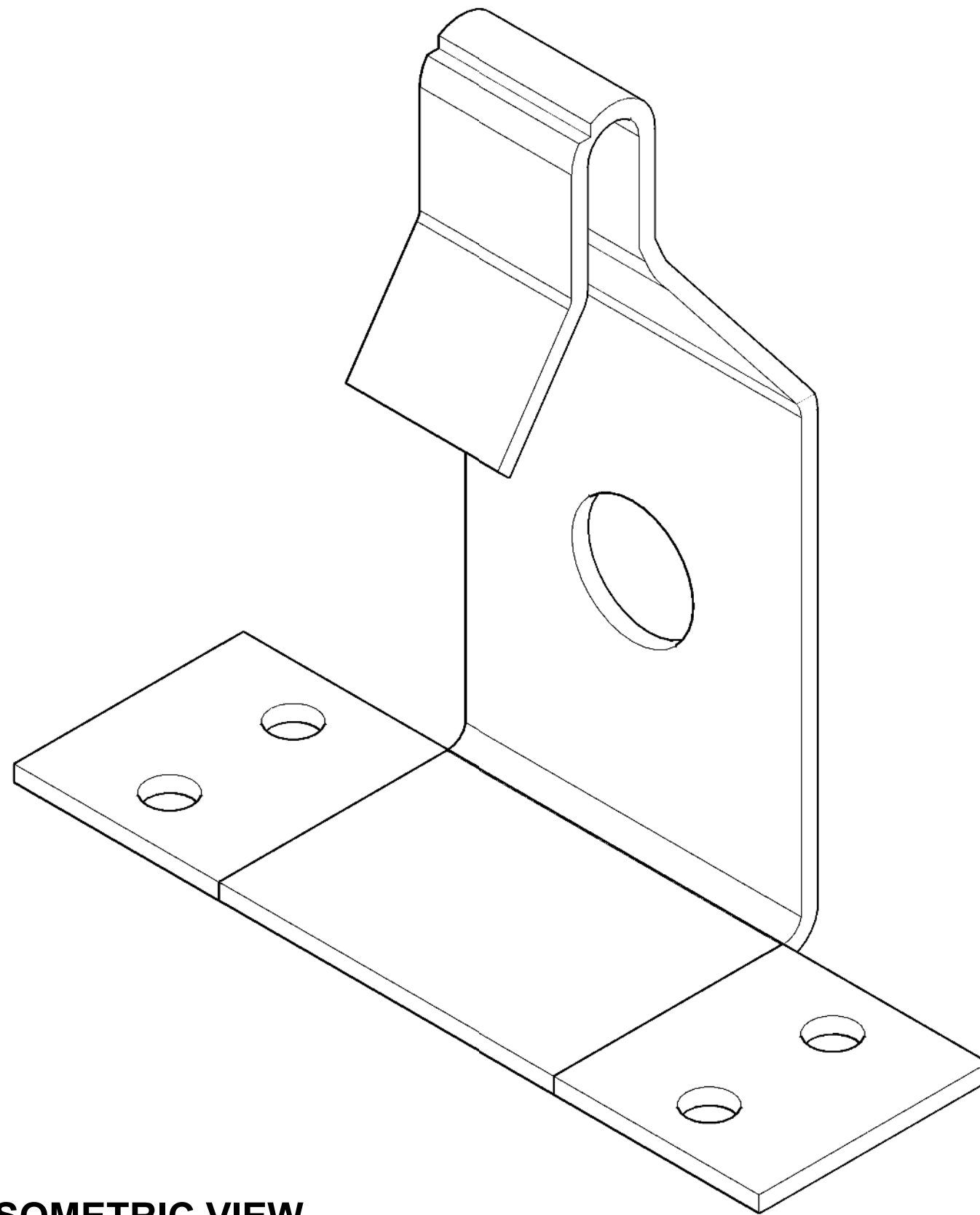
**SIDE
VIEW**



**FRONT
VIEW**



ISOMETRIC VIEW



MADRID

7800 INDUSTRY AVENUE
PICO RIVERA, CA 90660
WWW.MADRIDINC.COM

DRAWING TITLE:

C-CLIP

DATE:

06/2023

DRAWING #:

RLG4

THIS DOCUMENT CONTAINS CONFIDENTIAL AND PROPRIETARY INFORMATION. ALL RECIPIENTS OF THIS DOCUMENT ARE TO PROTECT THE OWNERS DATA FROM USE BY OR TRANSFER TO NON-AUTHORIZED PARTIES BY LEGAL MEANS POSSIBLE. COPYRIGHT © 2023

DRAWING:

4 OF 4