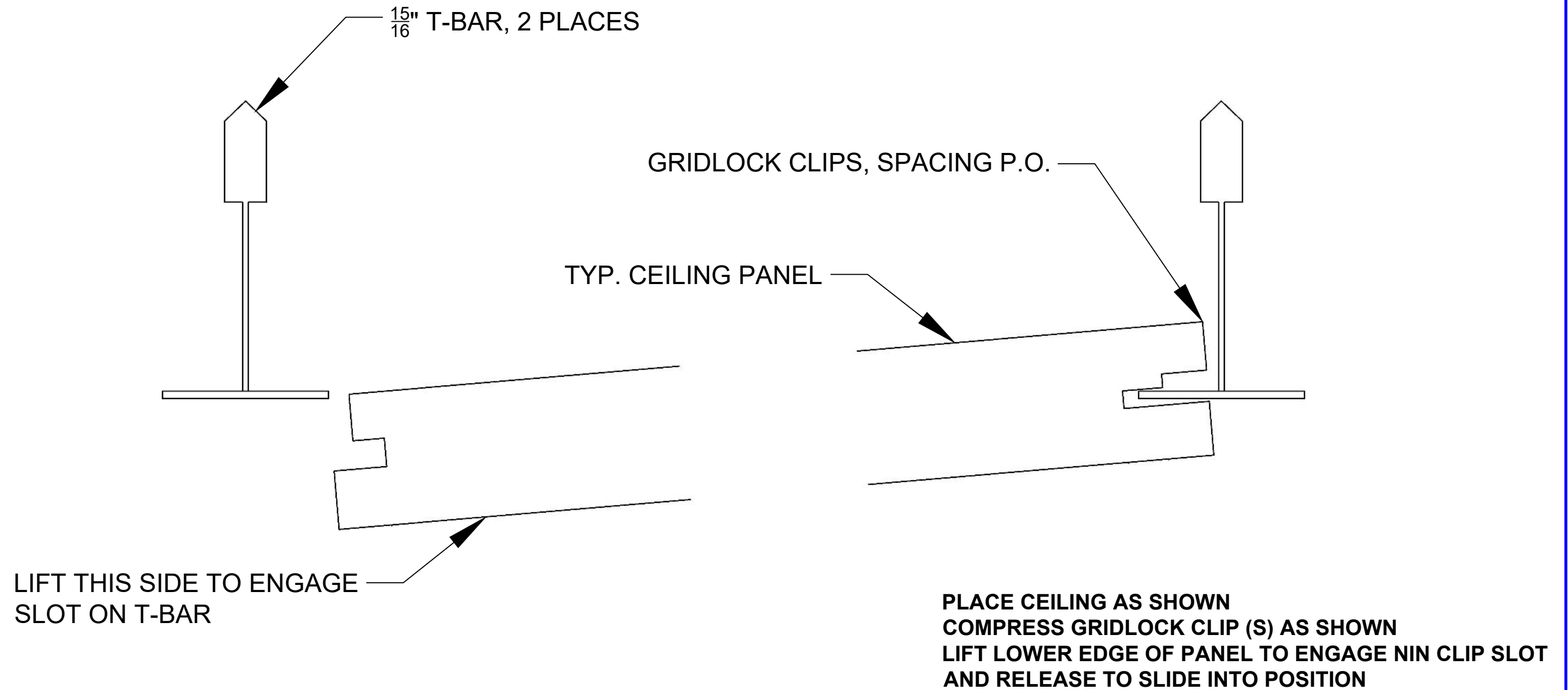


GRIDLOCK TILES



AVAILABLE FOR CEILINGS 15/16"
 ONLY AVAILABLE IN 2X2 OR 2X4

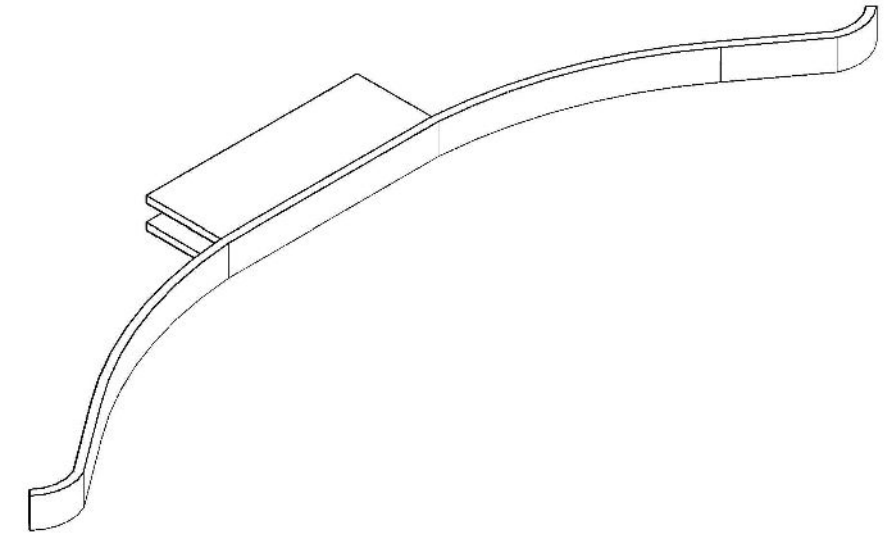
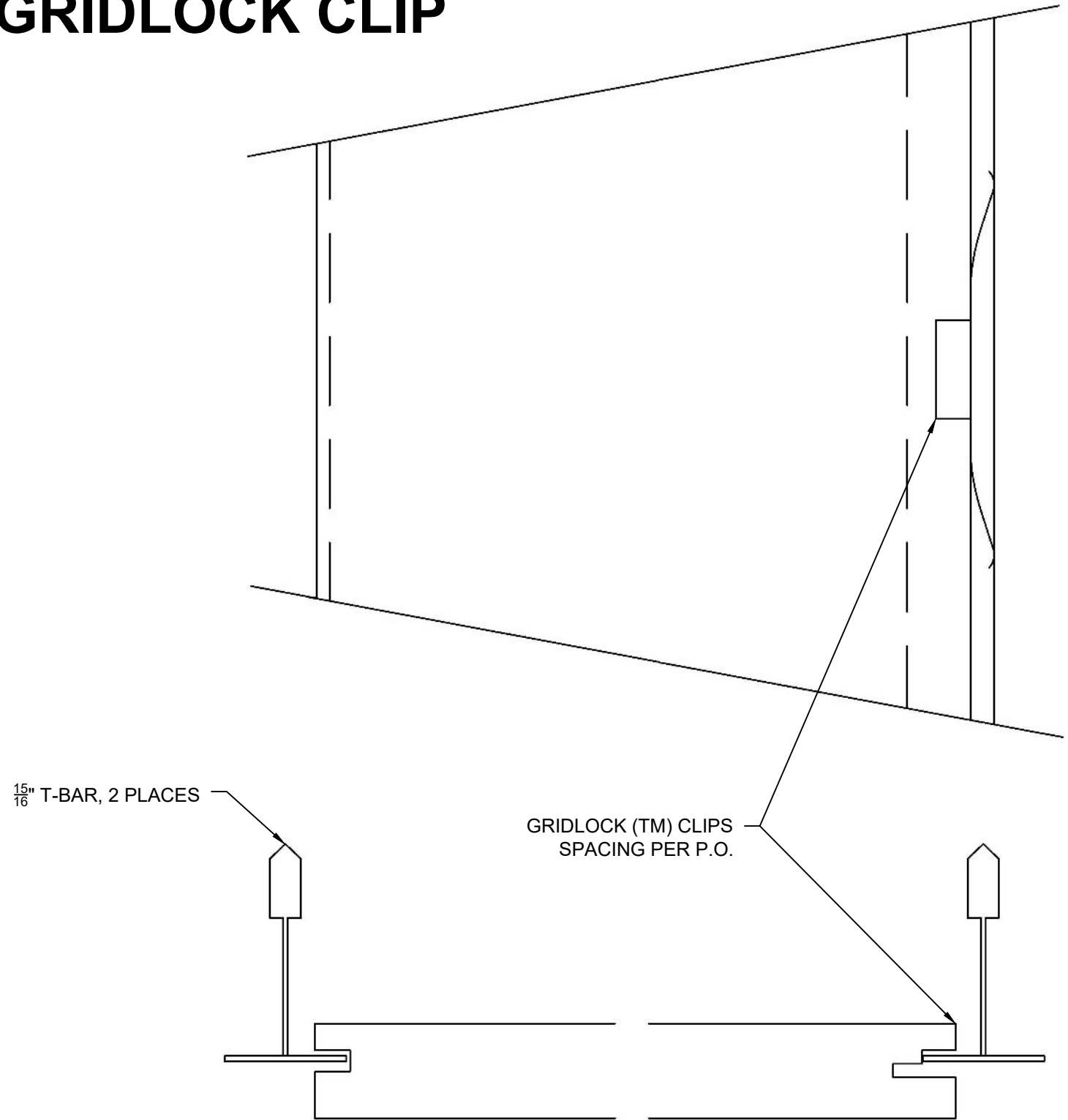


MADRID
 7800 INDUSTRY AVENUE
 PICO RIVERA, CA 90660
 WWW.MADRIDINC.COM

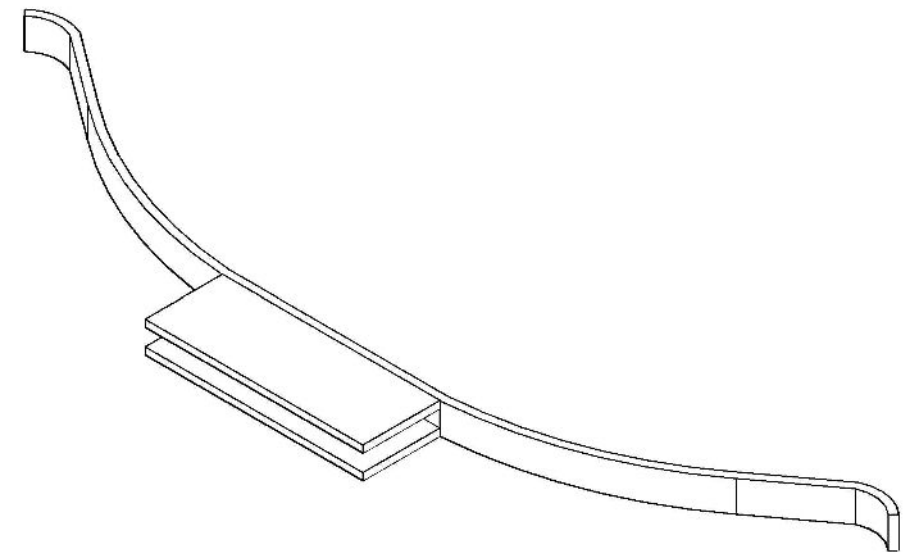
DRAWING TITLE:	PANEL INSTALLATION DETAIL	DATE	04/2023	DRAWING #:	1 of 4
----------------	----------------------------------	------	----------------	------------	---------------

THIS DOCUMENT CONTAINS CONFIDENTIAL AND PROPRIETARY INFORMATION. ALL RECIPIENTS OF THIS DOCUMENT ARE TO PROTECT THE OWNERS DATA FROM USE BY OR TRANSFER TO NON-AUTHORIZED PARTIES BY LEGAL MEANS POSSIBLE. COPYRIGHT © 2023

GRIDLOCK CLIP



GRIDLOCK (TM) CLIP



GRIDLOCK (TM) CLIP



MADRID
7800 INDUSTRY AVENUE
PICO RIVERA, CA 90660
WWW.MADRIDINC.COM

DRAWING TITLE:

GRIDLOCK (TM) CLIP INSTALLATION

DATE

04/2023

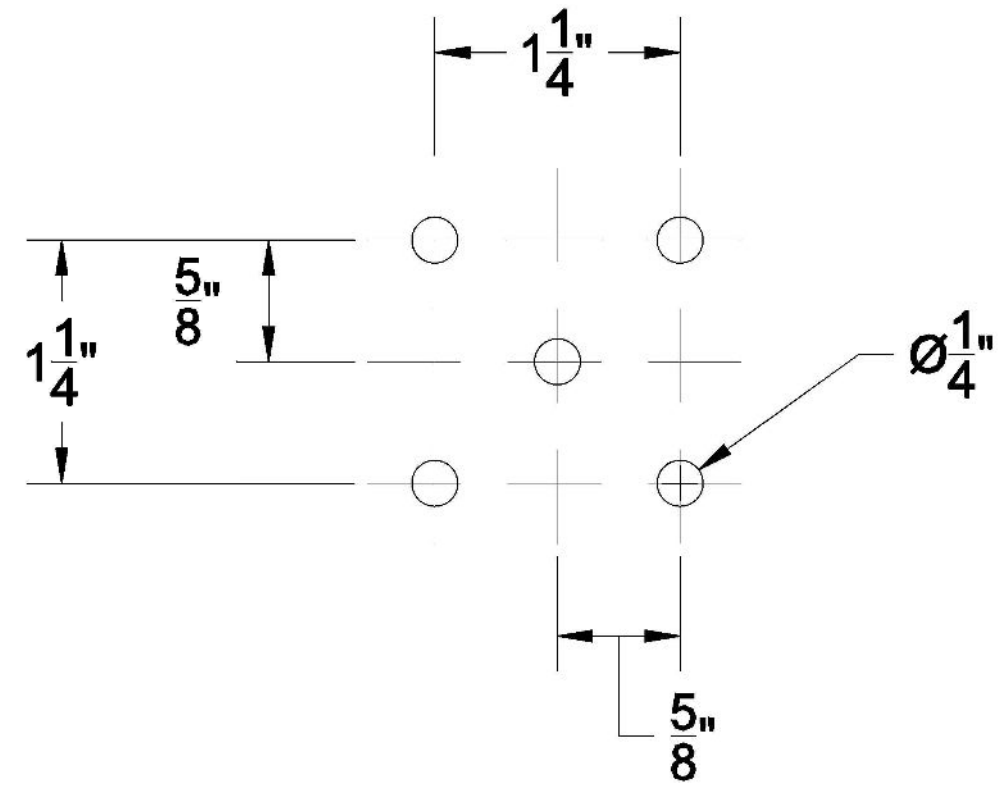
DRAWING #:

2 of 4

THIS DOCUMENT CONTAINS CONFIDENTIAL AND PROPRIETARY INFORMATION. ALL RECIPIENTS OF THIS DOCUMENT ARE TO PROTECT THE OWNERS DATA FROM USE BY OR TRANSFER TO NON-AUTHORIZED PARTIES BY LEGAL MEANS POSSIBLE. COPYRIGHT © 2023

P0 (NO PREFORATION)

TYPE: N/A
HOLE SIZE : N/A
PERCENT OPEN AREA: N/A



P1

TYPE: ROUND DIAGONAL
HOLE SIZE : 1/4"
PERCENT OPEN AREA: 6.2



MADRID
7800 INDUSTRY AVENUE
PICO RIVERA, CA 90660
WWW.MADRIDINC.COM

DRAWING TITLE:

PEFERATION PATTERN

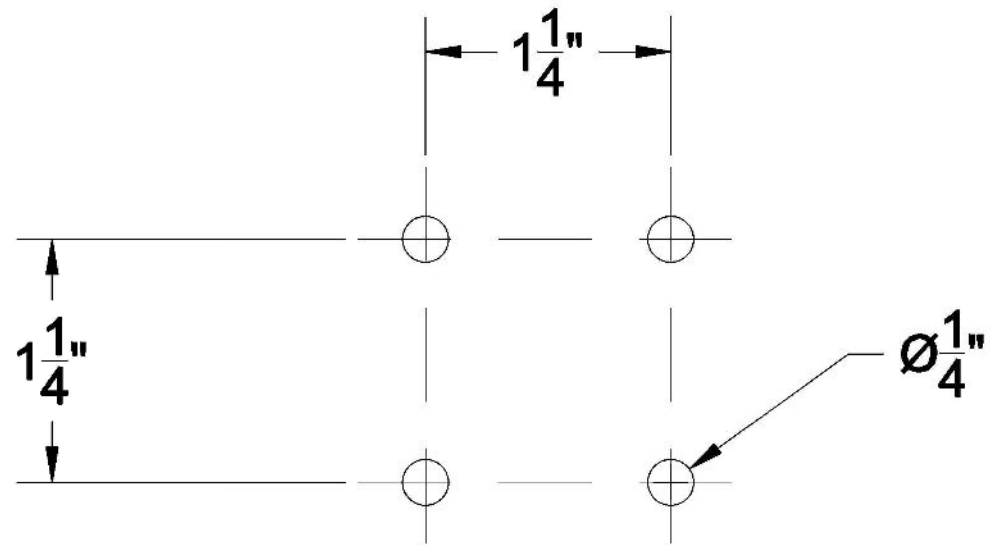
DATE

04/2023

DRAWING #:

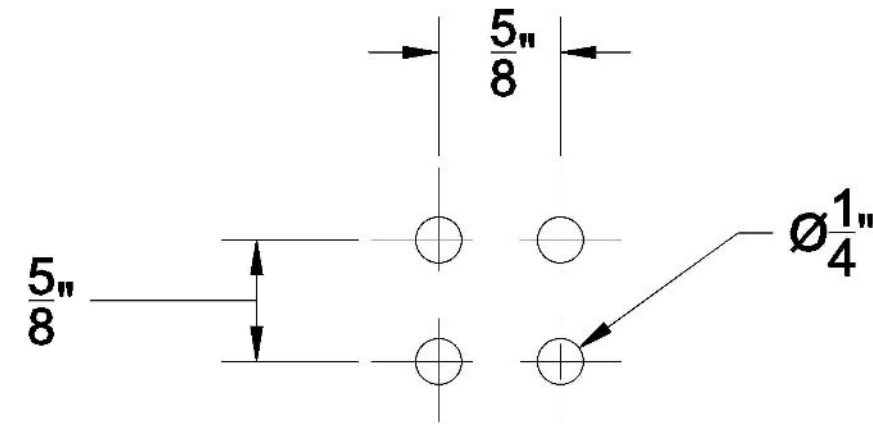
3 of 4

THIS DOCUMENT CONTAINS CONFIDENTIAL AND PROPRIETARY INFORMATION. ALL RECIPIENTS OF THIS DOCUMENT ARE TO PROTECT THE OWNERS DATA FROM USE BY OR TRANSFER TO NON-AUTHORIZED PARTIES BY LEGAL MEANS POSSIBLE. COPYRIGHT © 2023



P2

TYPE: ROUND DIAGONAL
 HOLE SIZE : $\frac{1}{4}$ "
 PERCENT OPEN AREA: 6.2



P3

TYPE: ROUND DIAGONAL
 HOLE SIZE : $\frac{1}{4}$ "
 PERCENT OPEN AREA: 6.2



MADRID
 7800 INDUSTRY AVENUE
 PICO RIVERA, CA 90660
 WWW.MADRIDINC.COM

DRAWING TITLE:

PERFERATION PATTERN

DATE

04/2023

DRAWING #:

4 of 4

THIS DOCUMENT CONTAINS CONFIDENTIAL AND PROPRIETARY INFORMATION. ALL RECIPIENTS OF THIS DOCUMENT ARE TO PROTECT THE OWNERS DATA FROM USE BY OR TRANSFER TO NON-AUTHORIZED PARTIES BY LEGAL MEANS POSSIBLE. COPYRIGHT © 2023